

MixRite DOSING PUMPS

2.5 m³/h

MixRite 2.5

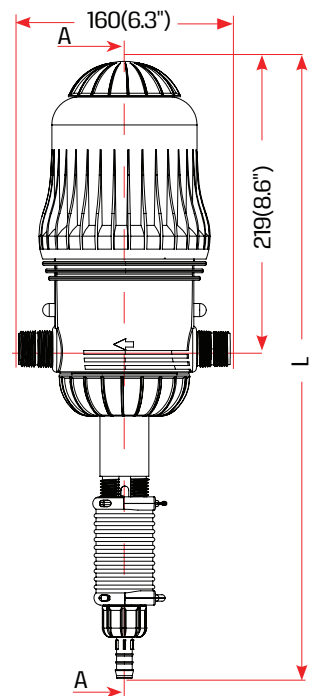
Available options



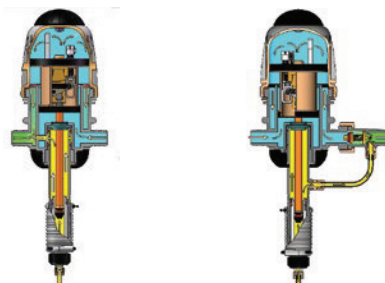
Technical Information

Water pressure	0.2 - 8 bar (2.9 - 116 psi)
Flow Rate	10 - 2500 l/h (0.044 - 11 GPM)
Working temp	4-40° C (39.2-104° F)
Coupling	3/4"

* Legs available upon special request



By Pass models



Internal bypass
*Yellow sleeve

External bypass
*Yellow sleeve

L (Height)	
On/Off	Air Release
Max. 528 (20.7")	496 (19.5")
Min. 497 (19.5")	457 (17.9")

Max.
Min.

Application Color Code

Application	Sleeve Color	TEFEN Code	Seal Material	Spring Material
Irrigation	Grey	STD	NBR	SST
Livestock	Red	PO	NBR, EPDM	SST, Hastelloy
Acids	White	PVDF	AFLAS	Hastelloy
Chlorine	Purple	CL	Viton	Hastelloy
Industry	Black	C	EPDM, AFLAS	SST, Hastelloy
Car Wash	Cyan	CW	AFLAS	SST, Hastelloy
By-Pass	Yellow	I / B	EPDM, AFLAS	SST, Hastelloy



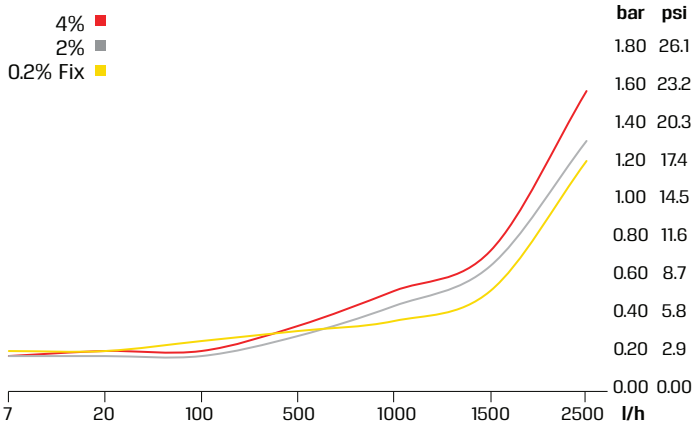


Application Range

Dosage Rate %	Flow Rate Range	Pressure Range	Connectors Dia. Thread	Min-Max Injection Rate Per Hour	Suction Tube Dia.	Applications	Gross weight std unit
0.2% fix	10 - 2500 l/h	0.2 - 8 bar	3/4" BSPT	0.02 - 5 l/h	8 mm	Irrigation	1.4 KG
0.8% fix	10 - 2500 l/h	0.2 - 8 bar	3/4" BSPT	0.08 - 20 l/h	10 mm	Irrigation / Livestock	1.5 KG
1% fix	10 - 2500 l/h	0.2 - 8 bar	3/4" BSPT	0.01 - 25 l/h	10 mm	Irrigation / Livestock	1.8 KG
0.1% - 0.9%	10 - 2500 l/h	0.2 - 8 bar	3/4" BSPT	0.01 - 22.5 l/h	8 mm	Irrigation / Livestock / Chlorine / Car Wash / Acid	1.8 KG
0.3% - 2%	10 - 2500 l/h	0.2 - 8 bar	3/4" BSPT	0.03 - 50 l/h	10 mm	Irrigation/Livestock / Chlorine / Car Wash / Industry / Acid	1.8 KG
0.4% - 4%	10 - 2500 l/h	0.2 - 8 bar	3/4" BSPT	0.04 - 100 l/h	16 mm	Irrigation/Livestock / Chlorine / Car Wash / Industry / Acid	1.8 KG
0.1% - 0.9% bypass	20 - 2500 l/h	0.2 - 8 bar	3/4" BSPT	0.02 - 22.5 l/h	8 mm	Irrigation / Livestock / Chlorine / Acid	1.9 KG
0.3% - 2% bypass	20 - 2500 l/h	0.2 - 8 bar	3/4" BSPT	0.06 - 50 l/h	10 mm	Irrigation / Livestock / Chlorine / Acid	1.9 KG
0.4% - 4% bypass	20 - 2500 l/h	0.2 - 8 bar	3/4" BSPT	0.08 - 100 l/h	16 mm	Irrigation / Livestock / Chlorine / Acid	1.9 KG
0.1% - 0.9% Internal bypass	20 - 2500 l/h	0.2 - 8 bar	3/4" BSPT	0.02 - 22.5 l/h	8 mm	Irrigation / Livestock / Chlorine / Acid	1.9 KG
0.3% - 2% Internal bypass	20 - 2500 l/h	0.2 - 8 bar	3/4" BSPT	0.06 - 50 l/h	10 mm	Irrigation / Livestock / Chlorine / Acid	1.9 KG
0.4% - 4% Internal bypass	20 - 2500 l/h	0.2 - 8 bar	3/4" BSPT	0.08 - 100 l/h	16 mm	Irrigation / Livestock / Chlorine / Acid	1.9 KG

* Low flow 7 l/h available in P0 model

Pressure Loss



Max. injection rate/h

