

# MixRite DOSING PUMPS

## 10 m<sup>3</sup>/h

### MixRite TF-10

#### Available options

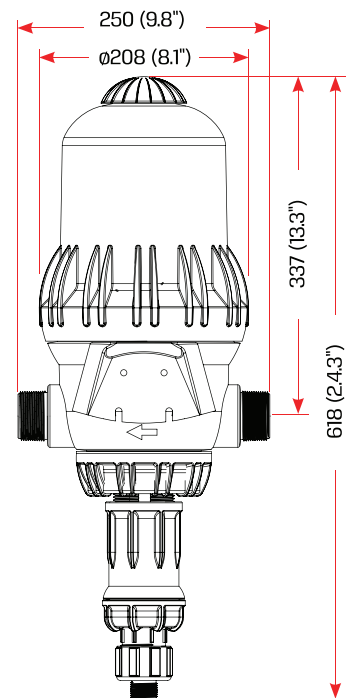
Manual ON/OFF    Hydraulic ON/OFF    Electric ON/OFF



#### Technical Information

Water pressure | 1 - 8 bar (14.7 - 116 PSI)  
 Flow Rate | 0.1 - 10 m<sup>3</sup>/h (0.44 - 45 GPM)  
 Working temp | 4-40° C (39.2-104° F)  
 Coupling | 1.5" or 50 mm

\* Legs available upon special request



		L (Height)	
		On/Off	Air Release
Max.		760 (29.9")	660 (26")
Min.		720 (28.34")	625 (24.6")

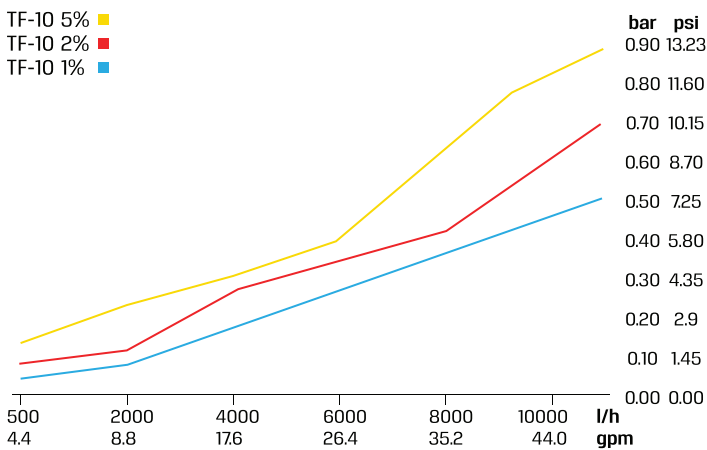
#### Application Color Code

Application	Sleeve Color	TEFEN Code	Seal Material	Spring Material
Irrigation		STD	NBR	SST, Hastelloy
Chlorine		CL	Viton	Hastelloy

## Application Range

Dosage Rate %	Flow Rate Range	Pressure Range	Connectors Dia. Thread	Min-Max Injection Rate Per Hour	Suction Tube Dia.	Applications	Gross weight std unit
0.1% - 1%	0.1 - 10 m³/h	1 - 8 bar	1½" BSPT	0.1 - 100 l/h	19 mm	Irrigation / Chlorine / Livestock	7.3 KG
0.2% - 2%	0.1 - 10 m³/h	1 - 8 bar	1½" BSPT	0.2 - 200 l/h	19 mm	Irrigation / Chlorine / Livestock	7.3 KG
1% - 5%	0.1 - 10 m³/h	1 - 8 bar	1½" BSPT	1 - 500 l/h	19 mm	Irrigation / Chlorine / Livestock	7.3 KG

## Pressure Loss



## Max. injection rate/h

