

MixRite DOSING PUMPS

5 m³/h

MixRite TF-5

Available models

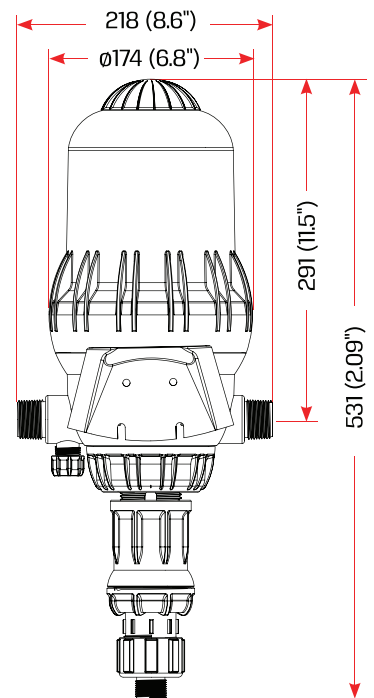
Manual ON/OFF Hydraulic ON/OFF Electric ON/OFF



Technical Information

Water pressure | 1 - 8 bar (14.5 - 116 PSI)
 Flow Rate | 0.1 - 5 m³/h (0.44 - 22 GPM)
 Working temp | 4-40° C (39.2-104° F)
 Coupling | 1" or 32 mm

* Legs available upon special request



L (Height)		
	On/Off	Air Release
Max.	680 (26.7")	595 (23.4")
Min.	585 (23")	545 (21.4")

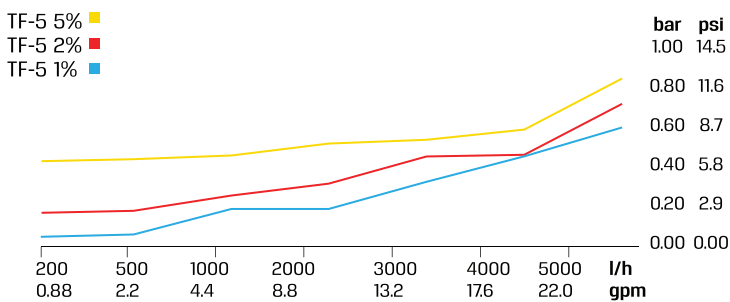
Application Color Code

Application	Sleeve Color	TEFEN Code	Seal Material	Spring Material
Irrigation		STD	NBR	SST, Hastelloy
Livestock		PO	EPDM	SST, Hastelloy
Chlorine		CL	Viton	Hastelloy

Application Range

Dosage Rate %	Flow Rate Range	Pressure Range	Connectors Dia. Thread	Min-Max Injection Rate Per Hour	Suction Tube Dia.	Applications	Gross weight std unit
0.1% - 1%	0.1 - 5 m³/h	1 - 8 bar	1" BSPT	0.1 - 50 l/h	16 mm	Irrigation / Chlorine / Livestock	5 KG
0.2% - 2%	0.1 - 5 m³/h	1 - 8 bar	1" BSPT	0.2 - 100 l/h	16 mm	Irrigation / Chlorine / Livestock	5 KG
0.5% - 5%	0.1 - 5 m³/h	1 - 8 bar	1" BSPT	0.5 - 250 l/h	19 mm	Irrigation / Chlorine / Livestock	5 KG

Pressure Loss



Max. injection rate/h

